



VHF MARINE TRANSCEIVER

# IC-M402

Upgraded Version



**Submersible**

1m depth for 30 minutes



## Easy to see! Easy to hear!

### Large 2-digit Channel with scrolling names

Look at the size of the LCD and the large channel numbers! The large, easy to see display has 27x43mm (1 1/16x1 5/8in.) dimensions, so channel indications are maximized. 10-character channel names and all settings are displayed instantly.



The photo shows actual display size.

### Force 5 Audio

The front facing speaker offers loud crisp reception that is easy to hear, even over engine or wind noise.

### Submersible (1m depth for 30 minutes)

After each outing, spray the IC-M402 with fresh water to remove any salt. By doing so, you will remove any mineral build-up, and extend the life of the radio.

(Equivalent to JIS Grade 7; except cables)

### Built-in DSC capability that meets RTCM SC101

The DSC watch function monitors Ch. 70, even while receiving another channel. It allows you to send a formatted distress message in an emergency. Position data is automatically exchanged between the two stations. Up to 30 DSC IDs are stored.



### Optional COMMANDMIC®

Icom's COMMANDMIC® makes it convenient for using the IC-M402 from a separate cabin or tower. It allows you to remotely control most functions of the IC-M402. (except DSC operation) Like the IC-M402, the waterproof COMMANDMIC® is also easy to see and easy to hear!



Optional COMMANDMIC®, HM-127W

### Upgraded features

One touch access to Scan button on the front panel

Impressive speaker audio

Position indication in seconds accuracy

NMEA input – RMC, GGA, GNS and GLL sentences

Position report and position request functions

Icom Inc.

## ADDITIONAL FEATURES

- Dualwatch and tri-watch functions for monitoring channel 16 and/or another call channel, while receiving on another channel
- Supplied remote function microphone for convenient channel and power selection
- NOAA weather channels with alert function

- Adjustable LCD backlighting and key illumination in 4 steps for nighttime operation
- Simple and easy tag scanning system
- Available in black or white

## SPECIFICATIONS

### GENERAL

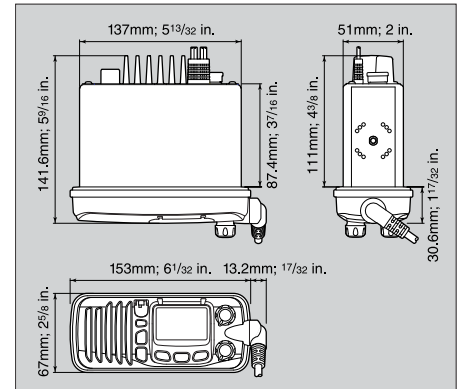
- Frequency range : Tx 156.025–157.425MHz  
Rx 156.050–163.275MHz
- Usable channels : USA, CAN, INT, WX channels
- Type of emission : 16K0G3E (FM), 16K0G2B (DSC)
- Power supply requirement :  
13.8V DC  $\pm$ 15%
- Current drain : Tx 5.5A (at 25W output)  
(at 13.8V DC) Rx 1.5A (at AF max.)
- Operating temp. range :  $-20^{\circ}\text{C}$  to  $+60^{\circ}\text{C}$ ;  $-4^{\circ}\text{F}$  to  $+140^{\circ}\text{F}$
- Frequency error :  $\pm 10\text{ppm}$  ( $-20^{\circ}\text{C}$  to  $+60^{\circ}\text{C}$ )
- Antenna impedance : 50 $\Omega$  (SO-239)
- Dimensions (WxHxD) : 153x67x141.6mm;  
(proj. not included) 6 $\frac{1}{32}$ x2 $\frac{5}{8}$ x5 $\frac{9}{16}$  in.
- Weight (approx.) : 900g; 2lb
- NMEA formats : RMC, GGA, GNS, GLL

### TRANSMITTER

- Output power : 25W, 1W (at 13.8V DC)
- Modulation system : Variable reactance freq. mod.
- Max. freq. deviation :  $\pm 5.0\text{kHz}$
- Spurious emissions : Less than  $-70\text{dBc}$
- Residual modulation : More than 40dB
- Adjacent Ch. power : More than 70dB

### RECEIVER

- Intermediate freq. : 1st 21.7MHz, 2nd 450kHz
- Sensitivity : 0.22 $\mu\text{V}$  typical at 12dB SINAD
- Squelch sensitivity : 0.22 $\mu\text{V}$
- Adj. Ch. selectivity : More than 70dB
- Spurious response : More than 70dB
- Intermodulation : More than 70dB
- Hum and noise : More than 40dB
- Audio output power : 4.5W typical  
at 10% distortion with a 4 $\Omega$  load



### Supplied accessories:

- Hand microphone, HM-141B/W
- DC power cable
- Mounting bracket kit

## OPTIONS



- **MB-69 FLUSH MOUNT KIT**  
For flush-mounting the IC-M402 to a flat surface such as an instrument control panel.
- **MB-92 DUST COVER**  
Protects the IC-M402 from dust and strong sunlight when the radio is not in use.
- **OPC-999 EXTENSION CABLE FOR HM-127B/W**  
6.1m (20ft) of extension cable for additional lengthening for use with COMMANDMIC<sup>®</sup>.
- **HM-141B/141W HAND MICROPHONES**  
Black and white are available. Same as supplied.

## COMMANDMIC<sup>®</sup>



- **HM-127B/W REMOTE-CONTROL MICROPHONES**  
Up to 21.3m (70ft) of freedom from the IC-M402 with two OPC-999 extension cables. Allows you to control all functions of the IC-M402 (except DSC operation).  
Size (WxHxD): 63.5x125.0x31.4mm; 2 $\frac{1}{2}$ x4 $\frac{29}{32}$ x1 $\frac{1}{4}$  in.  
Weight (approx.; with 3m curl cable): 250g ; 8.8oz  
Supplied accessories :  
• 6.1m (20ft) of cable • Microphone hanger  
• Mounting base for cable connector



COMMANDMIC is a registered trademark of Icom Inc. (Japan) in the United States. FORCE5AUDIO logo is a trademark of Icom Inc. (Japan) in the United States.

Icom Inc. 1-1-32, Kamiminami, Hirano-ku, Osaka 547-0003, Japan Phone: +81 (06) 6793 5302 Fax: +81 (06) 6793 0013 URL: <http://www.icom.co.jp/world/index.html>

Count on us!

### Icom America Inc.

<Corporate Headquarters>  
2380 116th Avenue N.E., Bellevue, WA 98004, U.S.A.  
Phone: +1 (425) 454-8155 Fax: +1 (425) 454-1509  
URL : <http://www.icomamerica.com>  
<Customer Service> Phone: +1 (425) 454-7619

### Icom Canada

Glenwood Centre #150-6165 Highway 17,  
Delta, B.C., V4K 5B8, Canada  
Phone: +1 (604) 952-4266 Fax: +1 (604) 952-0090  
URL : <http://www.icomcanada.com>

### Icom (Australia) Pty. Ltd.

A.B.N. 88 006 092 575  
290-294 Albert Street, Brunswick, Victoria, 3056, Australia  
Phone: +61 (03) 9387 0666 Fax: +61 (03) 9387 0022  
URL : <http://www.icom.net.au>

### Icom New Zealand

146A Harris Road, East Tamaki, Auckland, New Zealand  
Phone: +64 (09) 274 4062 Fax: +64 (09) 274 4708  
URL : <http://www.icom.co.nz>

### Icom (Europe) GmbH

Communication Equipment  
Himmelgeister Str. 100, D-40225 Düsseldorf, Germany  
Phone: +49 (0211) 346047 Fax: +49 (0211) 333639  
URL : <http://www.icomeurope.com>

### Icom Spain S.L.

Ctra. de Gracia a Manresa Km. 14,750  
08190 Sant Cugat del Valles Barcelona, Spain  
Phone: +34 (93) 590 26 70 Fax: +34 (93) 589 04 46  
URL : <http://www.icomspain.com>

### Icom (UK) Ltd.

Unit 9, Sea St., Herne Bay, Kent, CT6 8LD, U.K.  
Phone: +44 (01227) 741741 Fax: +44 (01227) 741742  
URL : <http://www.icomuk.co.uk>

### Icom France S.a

Zac de la Plaine, 1, Rue Brindejonc des Moulinais  
BP 5804, 31505 Toulouse Cedex, France  
Phone: +33 (5) 61 36 03 03 Fax: +33 (5) 61 36 03 00  
URL : <http://www.icom-france.com>

### Asia Icom Inc.

6F No. 68, Sec. 1 Cheng-Teh Road, Taipei, Taiwan, R.O.C.  
Phone: +886 (02) 2559 1899 Fax: +886 (02) 2559 1874  
URL : <http://www.asia-icom.com>

### Beijing Icom Ltd.

1305, Wanshang Plaza, Shijingshan Road, Beijing, China  
Phone: +86 (010) 6866 6337 Fax: +86 (010) 6866 3553  
URL : <http://www.bjicom.com>



Icom Inc. (Japan), is an ISO 9001 and ISO 14001 certification acquired company.

Your local distributor/dealer: